

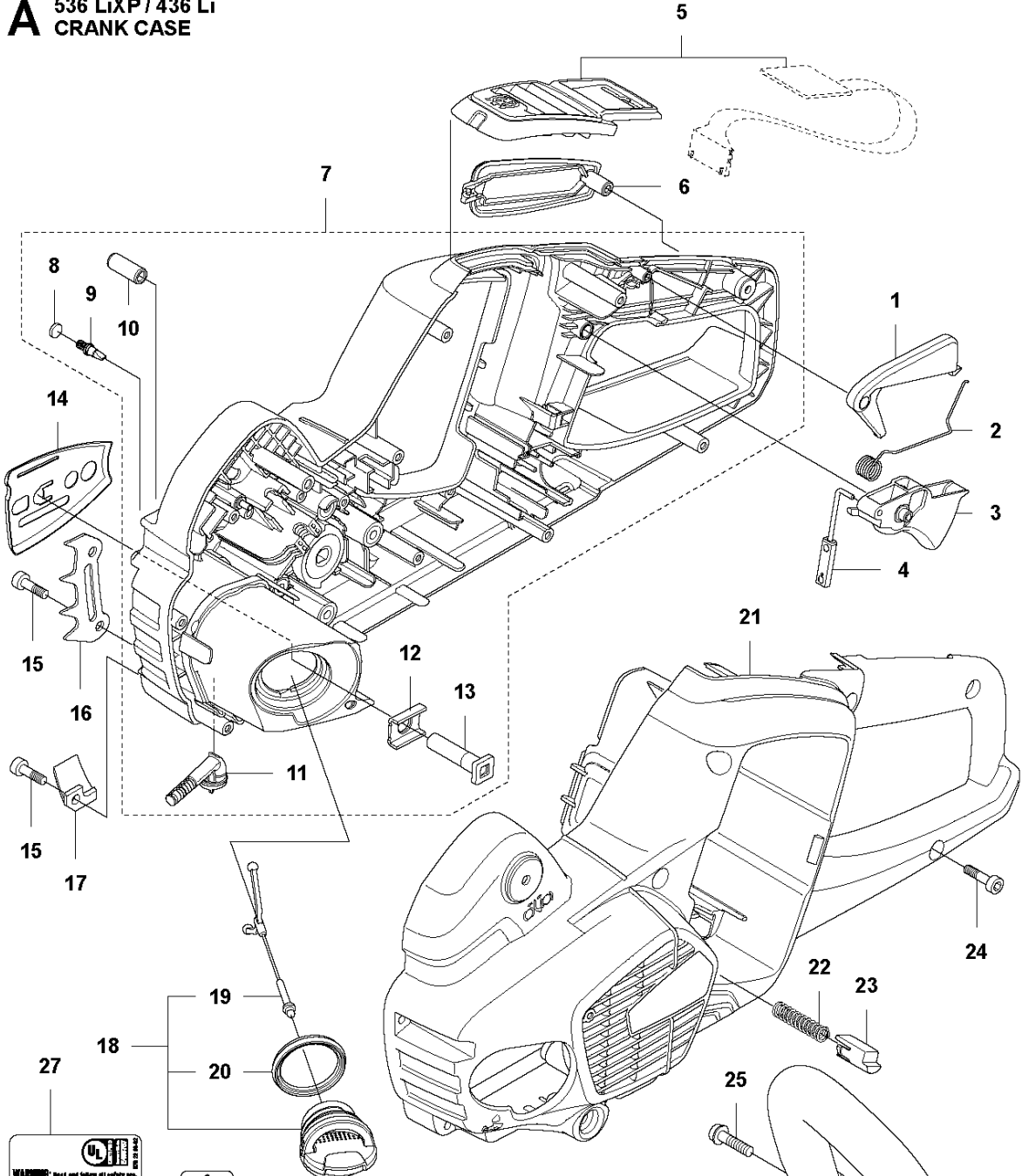


SPARE PARTS LIST

CHAIN SAWS

536 LiXP

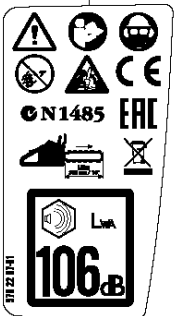
A 536 LiXP / 436 Li
CRANK CASE



WARNING: Read and follow all safety instructions in the owner's manual. Failure to follow instructions could result in serious injury or death. Contact of the saw bar with any object should be avoided. The rotating saw chain can catch on any object and kickback, which may cause serious injury to you. Use hands and feet always in the usual position of the chain saw. Use only identical replacement bar and chain components manufactured by the same Husqvarna factory type BL.

AVERTISSEMENT: Consultez et respectez les consignes de sécurité soigneusement dans le manuel de l'utilisateur. Le non-respect de ces instructions peut entraîner de graves blessures ou la mort. Évitez tout contact entre la barre et les objets. Évitez tout contact avec la chaîne. Utilisez toujours la position habituelle de la chaîne. Utilisez uniquement des pièces de rechange fabriquées par la même usine Husqvarna de type BL.

ADVERTENCIA: Lea y siga todas las precauciones de seguridad cuidadosamente en el manual de instrucciones. El incumplimiento de estas precauciones puede causar graves lesiones o la muerte. Evite el contacto de la barra con cualquier objeto. Evite el contacto con la cadena. Utilice siempre la posición habitual de la cadena. Utilice únicamente componentes de reemplazo de la misma y fabricados por el mismo fabricante y suministrados por el mismo fabricante de tipo BL de Husqvarna.

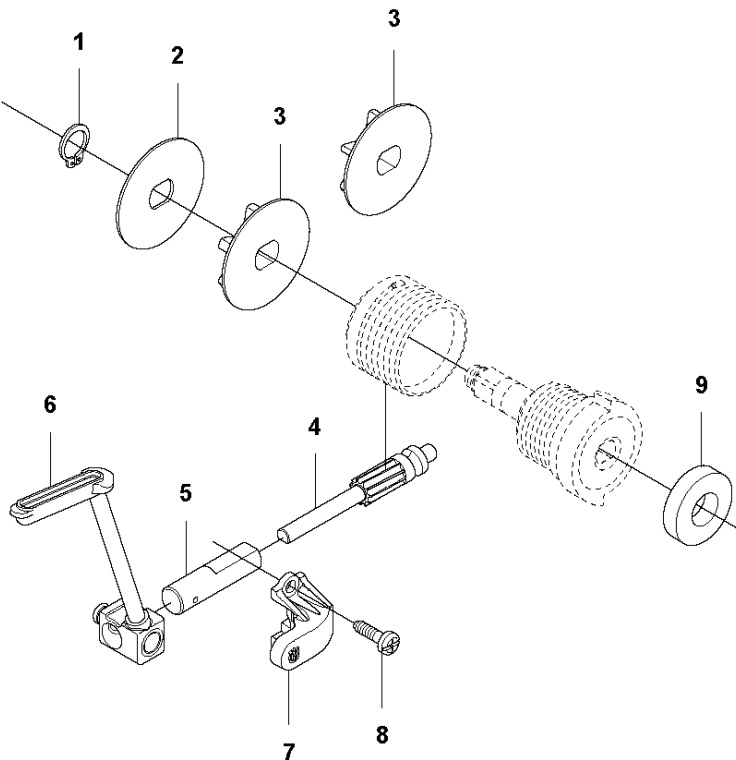


CRANKCASE

536 LiXP

Ref	Part No	Description	Remark	QTY	KIT
1	506 49 57-01	THROTTLE LOCKOUT		2	
2	544 09 99-01	SPRING		1	
3	577 31 27-01	THROTTLE CONTROL		1	
4	577 85 51-01	THROTTLE ROD ASSY		1	
5	581 65 96-01	COVER		1	
6	577 26 19-01	HANDLE INSERT		1	
7	581 26 84-01	CRANKCASE ASSY		1	
8	537 40 35-01	FILTER		1	7
9	530 02 61-19	CHECK VALVE		1	7
10	501 62 33-01	SPRING PIN		1	7
11	581 12 02-01	OIL SCREEN		1	7
12	576 99 97-01	STIFFENING PLATE		1	7
13	503 87 54-01	BAR BOLT		1	7
14	576 90 14-01	CHAIN GUIDE		1	
15	503 21 74-16	SCREW IHSC T		3	
16	577 28 66-01	INDRE BARKSTØD		1	
17	505 28 85-01	CHAIN CATCHER		1	
18	522 62 00-01	TANK CAP ASSY		1	
19	503 57 89-01	HOLDER		1	18
20	537 21 50-01	SEALING		1	18
21	577 06 34-01	CRANKCASE		1	
22	577 99 65-01	SPRING		1	
23	577 99 66-01	PUSH BUTTON		1	
24	503 21 66-74	SCREW IHSC T		9	
25	503 21 88-76	SCREW IHSC FT		2	
26	577 06 35-01	FRONT HANDLE		1	
27	578 22 88-02	DECAL		1	
28	579 50 44-01	DECAL		1	
29	501 97 16-04	LABEL		1	
30	578 22 87-01	DECAL		1	
31	578 22 91-01	DECAL		1	
32	578 22 92-01	DECAL		1	

B 536 LiXP / 436 Li
CLUTCH

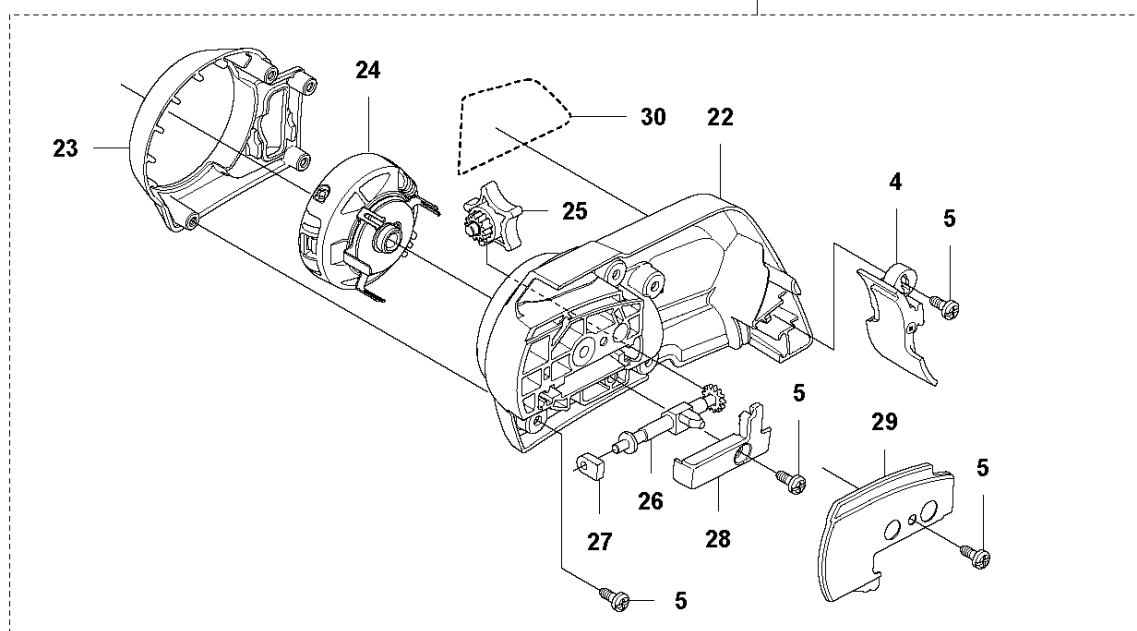
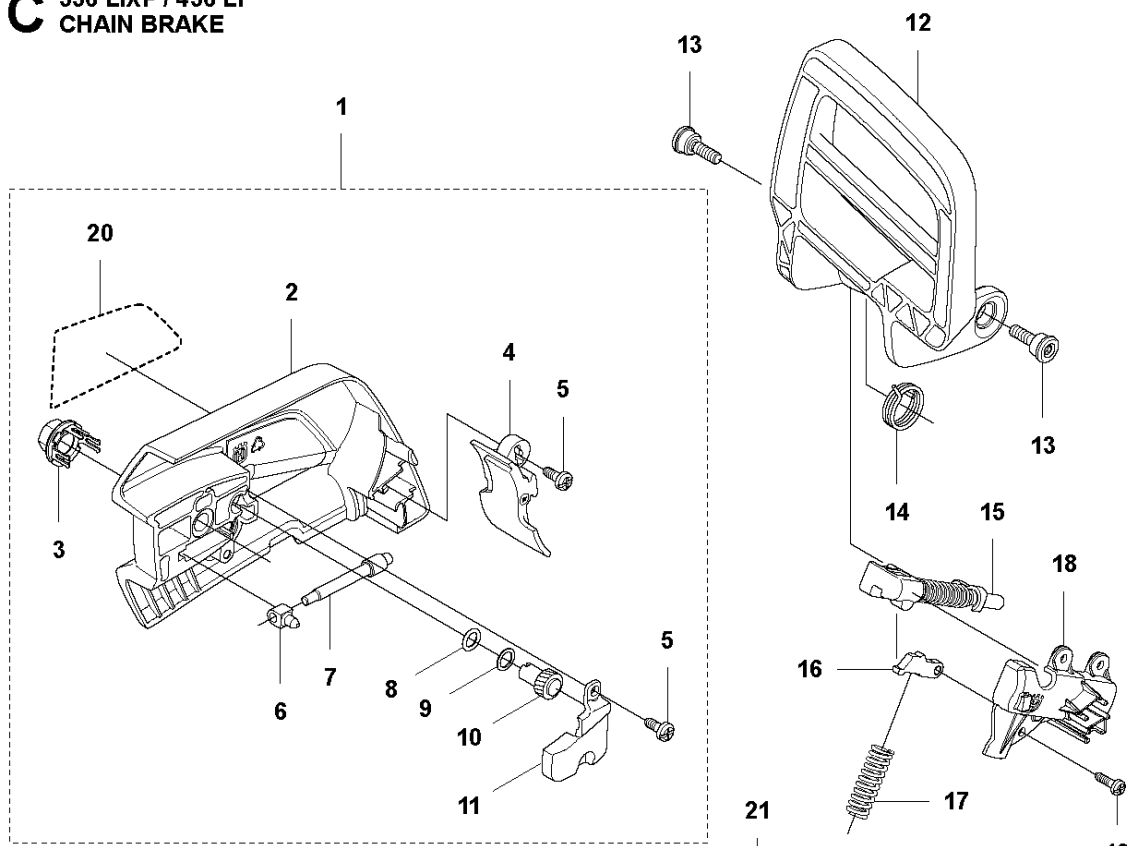


CLUTCH

536 LiXP

Ref	Part No	Description	Remark	QTY KIT
1	735 31 12-00	CIRCLIP		1
2	577 27 15-01	WASHER		1
3	577 60 76-01	SPUR SPROCKET	3/8" - 6T	1
3	579 53 45-01	SPUR SPROCKET	1/4" - 8T	1
4	540 05 79-01	PUMP PISTON		1
5	537 15 48-01	PUMP CYLINDER		1
6	577 27 25-01	OIL HOSE		1
7	579 24 69-01	BRACKET		1
8	503 21 28-13	SCREW CCRPANT		2
9	580 76 06-01	DISTANCE		1

C 536 LiXP / 436 Li
CHAIN BRAKE

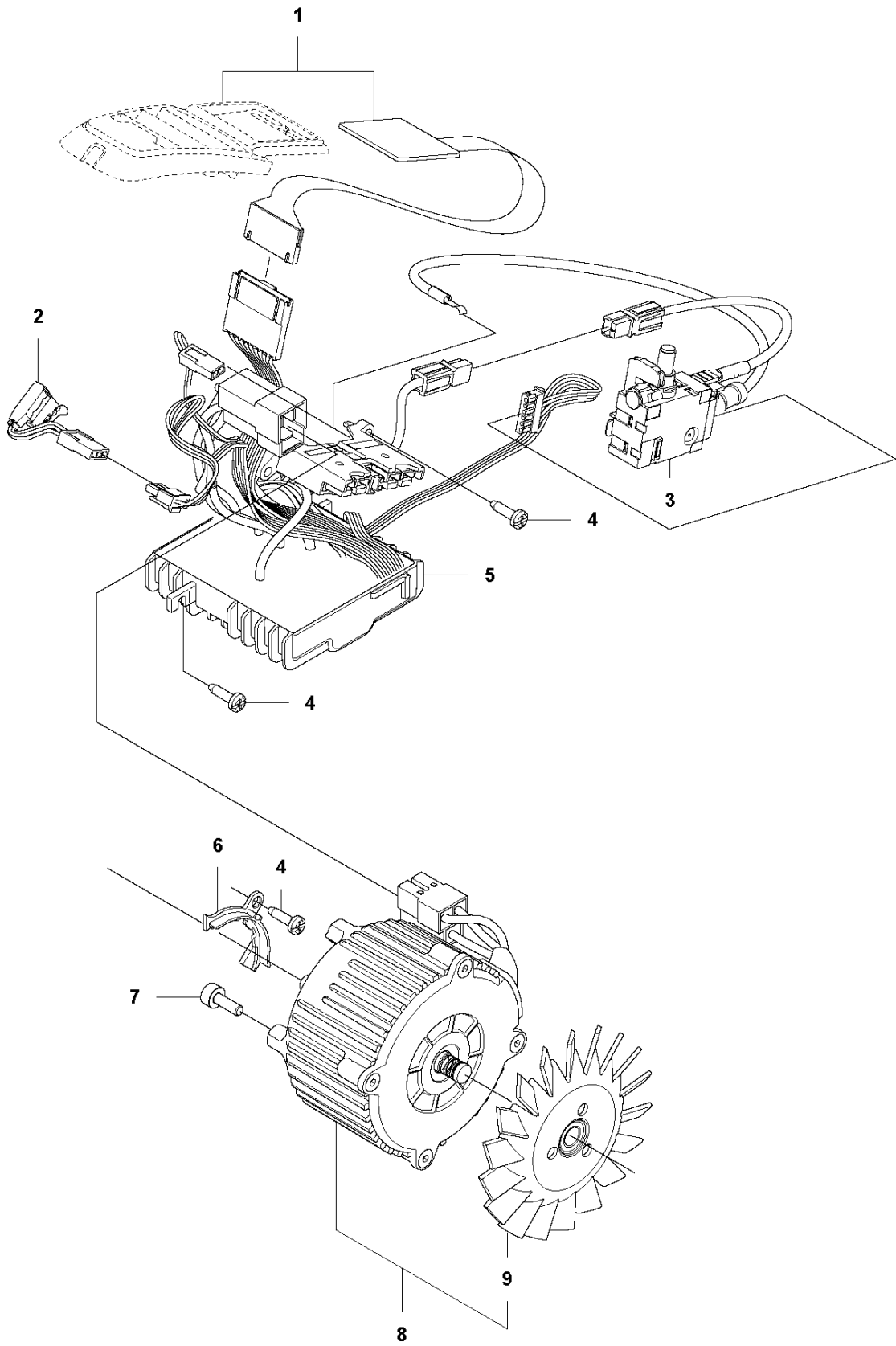


CHAIN BRAKE

536 LiXP

Ref	Part No	Description	Remark	QTY KIT	
1	576 90 56-01	CLUTCH COVER ASSY	536 LiXP	1	
2	576 90 57-01	CLUTCH COVER		1	1
3	505 19 73-01	NUT RETAINER ASSY		1	1
4	577 72 21-01	CHIP GUARD		1	1, 21.
5	503 21 70-72	SCREW CCRPANT			1, 21.
6	501 45 41-02	NUT		1	1
7	537 39 70-01	WORM SCREW		1	1
8	740 48 07-02	O-RING		1	1
9	503 23 00-63	WASHER		1	1
10	537 07 94-02	WORM WHEEL		1	1
11	505 21 45-01	COVER LID		1	1
12	576 90 39-01	HAND GUARD		1	
13	503 89 30-01	SCREW		2	
14	577 64 98-01	TORSION SPRING		1	
15	577 54 95-01	SHAFT ASSY		1	
16	577 27 20-01	CATCH		1	
17	576 90 46-01	SPRING		1	
18	577 36 56-01	BRACKET		1	
19	503 21 28-13	SCREW CCRPANT		3	
20	578 22 89-01	DECAL		1	1
21	578 91 42-01	CLUTCH COVER ASSY	436 Li	1	
22	578 79 06-01	CLUTCH COVER		1	21
23	578 77 94-01	COVER		1	21
24	537 34 78-03	KNOB		1	21
25	578 77 65-01	CHAIN TENSIONER		1	21
26	537 39 29-02	CHAIN TENSION SCREW		1	21
27	525 35 43-01	BEARING SLEEVE		1	21
28	504 54 28-01	COVER LID		1	21
29	578 77 82-01	WEAR PLATE		1	21
30	578 91 58-01	DECAL		1	21

D 536 LiXP / 436 Li
ELECTRIC



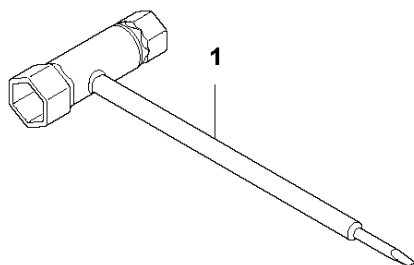
ELECTRICAL

536 LiXP

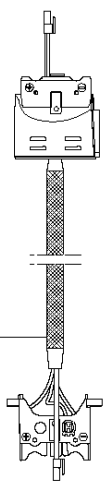
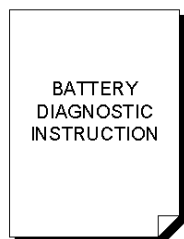
Ref	Part No	Description	Remark	QTY KIT
1	581 65 96-01	COVER		1
2	577 82 77-01	WIRING ASSY		1
3	578 14 29-01	WIRING ASSY		1
4	503 21 28-13	SCREW CCRPANT		5
5	578 26 68-01	CONTROL UNIT		1
6	577 58 52-01	COVER		1
7	503 20 25-12	SCREW IHSCM		4
8	577 31 58-02	MOTOR ASSY	Complete with fan	1
9	581 30 09-01	FAN		1

E 536 LiXP / 436 Li
ACCESSORIES

536 LiXP Only



2



3

4



5



3



ACCESSORIES

536 LiXP

Ref	Part No	Description	Remark	QTY	KIT
1	501 69 17-01	COMBINATION WRENCH		1	
2	581 19 23-01	DIAGNOSTIC TOOL		1	
3	579 62 13-01	WIRING ASSY		1	9, 11
4	583 89 71-01	DIAGNOSTIC TOOL KIT	Ref 9 + 576 69 23-01	1	
5	576 95 22-01	CABLE ASSY		1	11